

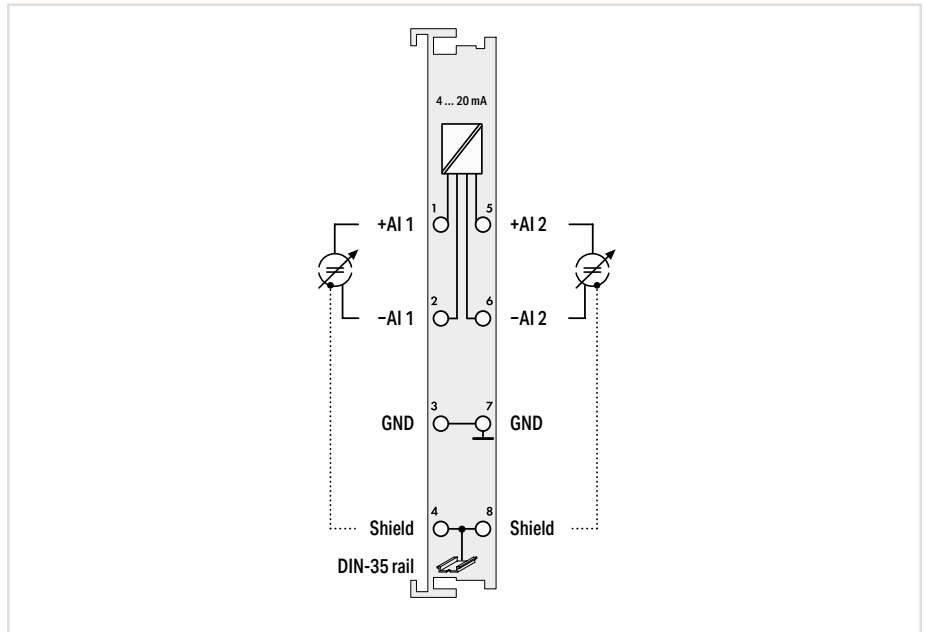
Analog Input; 4 ... 20 mA; Differential Input



Figure: 750-454



Figure: 753-454



Item Description		2-Channel Analog Input; 4 ... 20 mA; Differential input					
Version		Standard	Extended temperature	Pluggable (delivery with-out connector)	Data format (S5 control)	Extended measurement range	Extended temperature; Extended measurement range
Item No.		750-454	750-454/025-000	753-454	750-454/000-200	750-454/000-003	750-454/025-003
Order Text		2AI; 4-20mA; Diff	2AI; 4-20mA; Diff; T	2AI; 4-20mA; Diff	2AI; 4-20mA; Diff; S5	2AI; 4-20mA; Diff; EM	2AI; 4-20mA; Diff; T; EM

Technical Data					
Pluggable connector			•		
Customized data format for S5 control*				•	
Number of analog inputs		2			
Signal type		4 ... 20 mA		3.8 ... 20.5 mA	
Signal characteristic		Differential			
Resolution		12 bits			
Conversion time		2 ms			
Input resistance		< 220 Ω / 20 mA			
Measuring error (max.) at 25 °C		±0.2 % of the upper-range value			
Temperature error (max.)		±0.01 % of the upper-range value			
Current consumption – system supply (5 V)		70 mA			
Data width		2 x 16-bit data; 2 x 8-bit control/status (optional)			
Isolation		500 V (system/field)			
Surrounding air temperature (operation)		0 ... +55 °C	-20 ... +60 °C	0 ... +55 °C	-20 ... +60 °C
Dimensions W x H x D		12 x 69.8 x 100 mm			
Approvals		CE; Marine; OrdLoc/HazLoc; ATEX/IECEx			
Data sheet and further information, see:		wago.com/750-454	wago.com/753-454	wago.com/750-454	

Accessories		Item No.
Pluggable connector		753-110
Coding keys		753-150

*The S5 format allows you to import data with the standard S5 FB 250 function block.